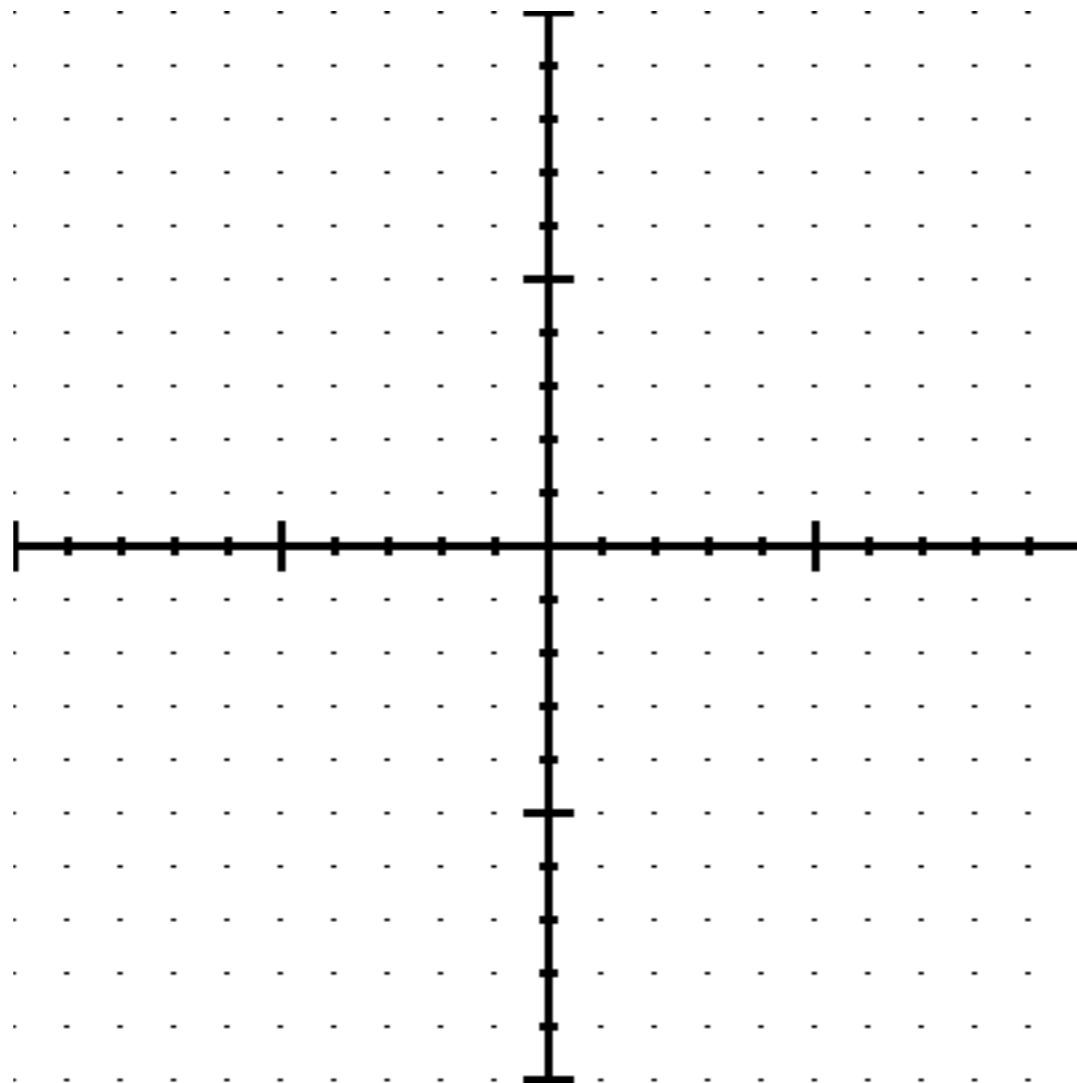


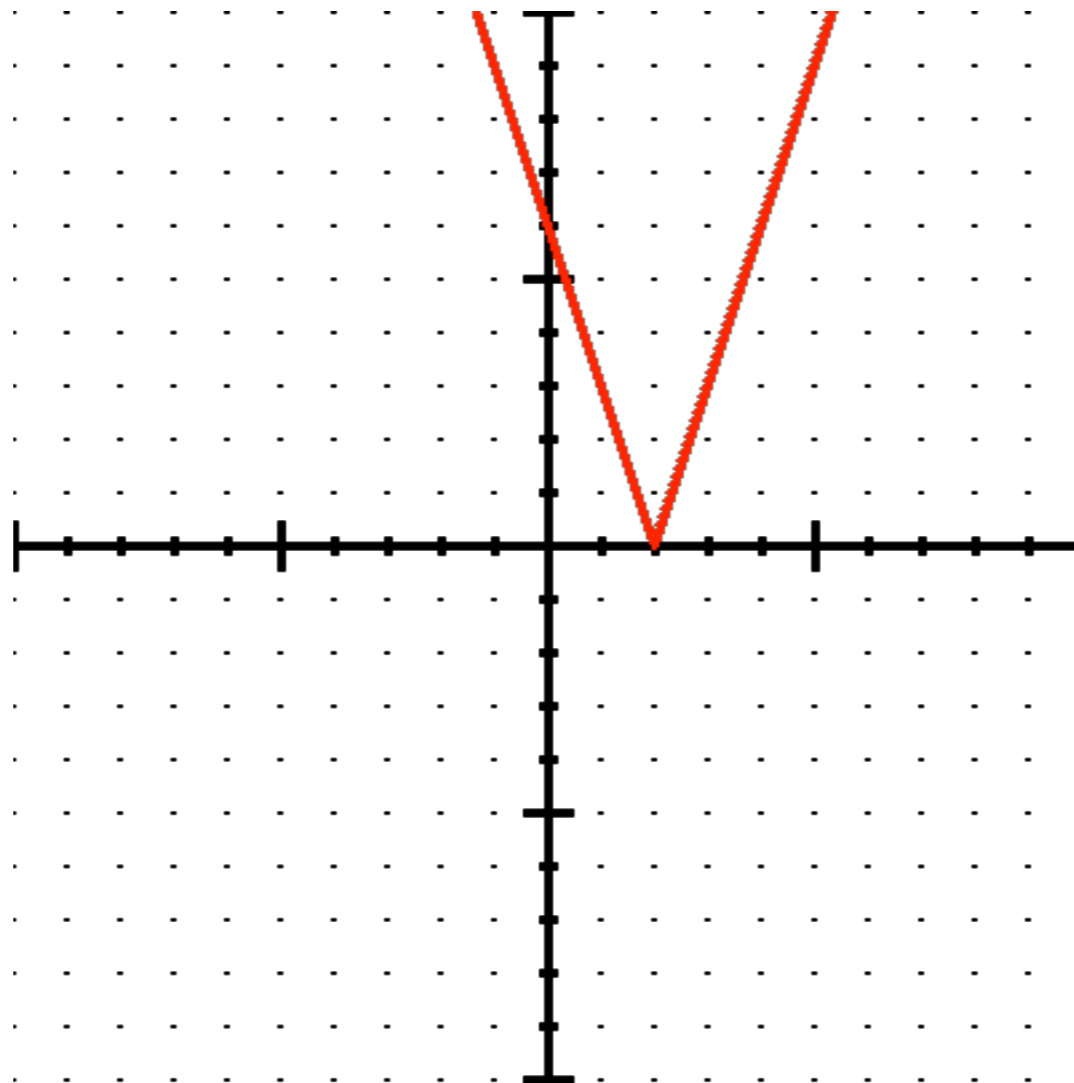
# Solving Graphically

By Mr. F

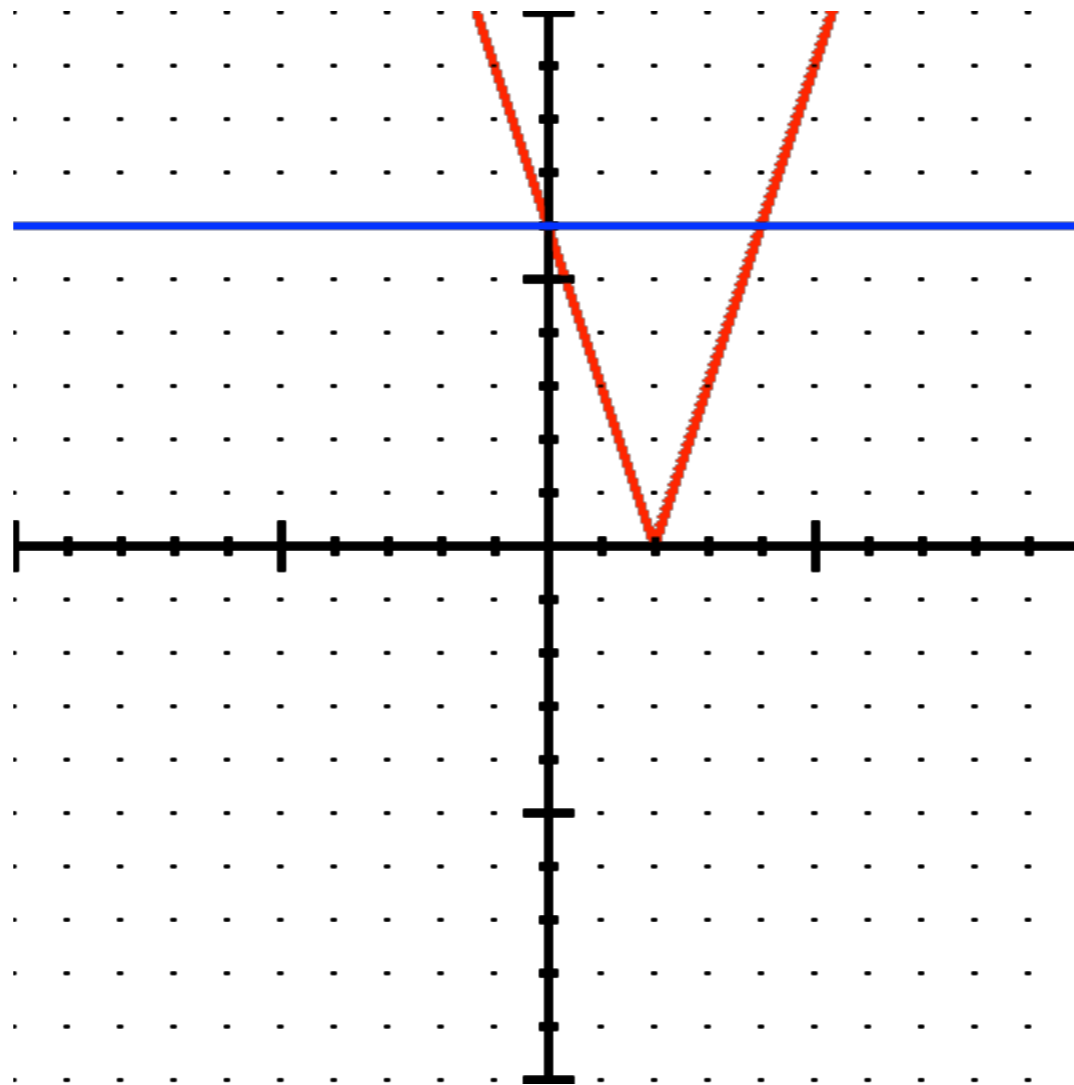
$$6 = 3|x - 2|$$



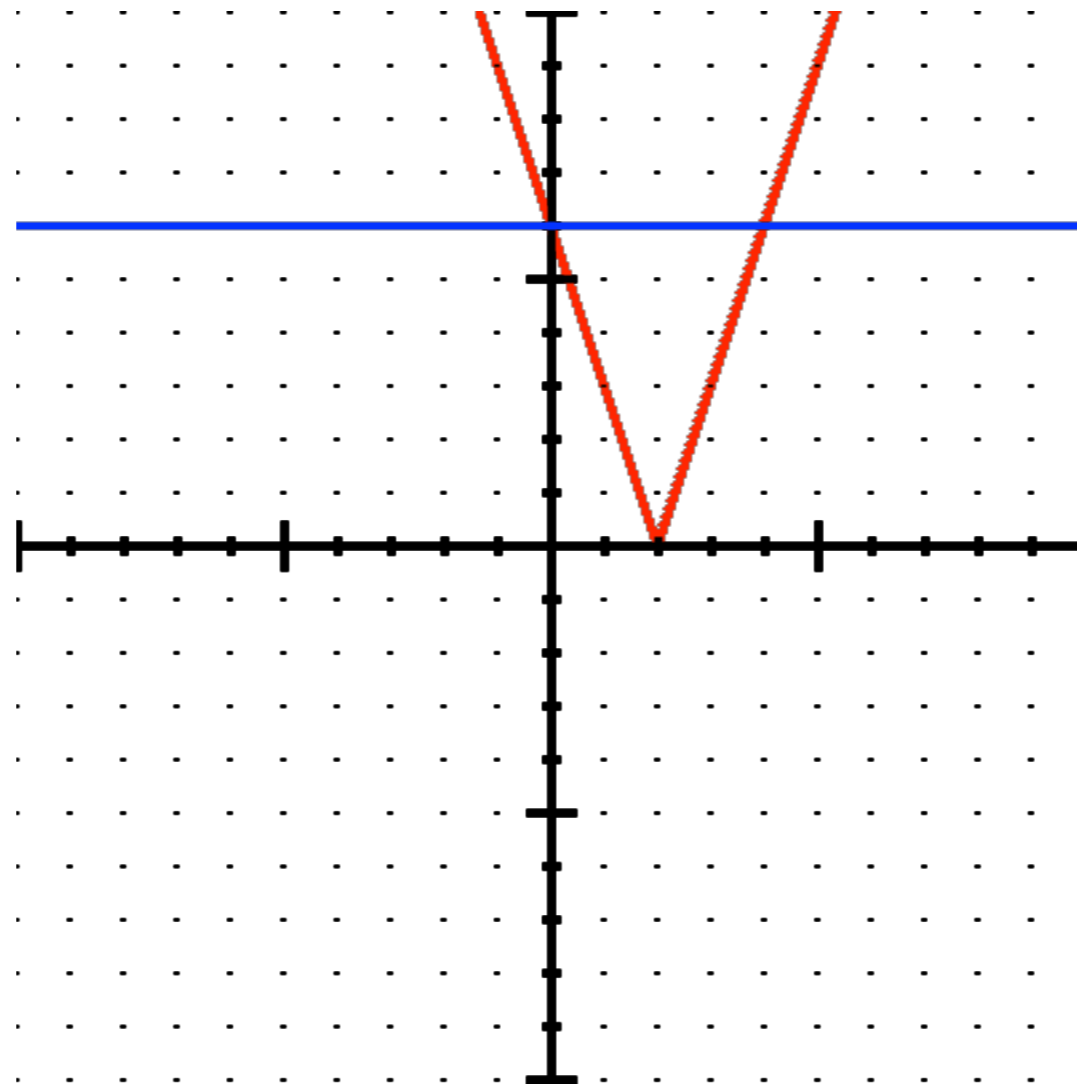
$$6 = 3|x - 2|$$



$$6 = 3|x - 2|$$

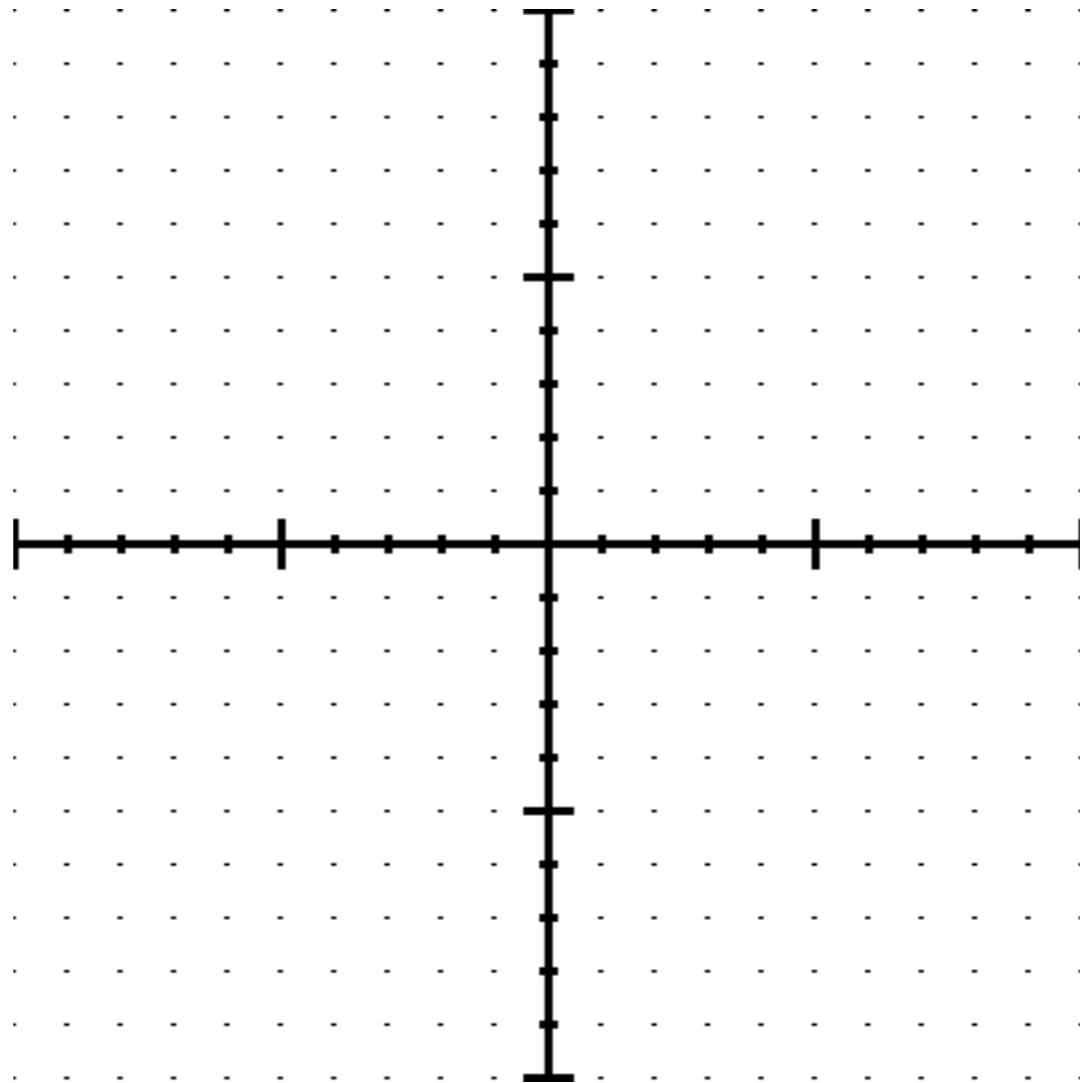


$$6 = 3|x - 2|$$

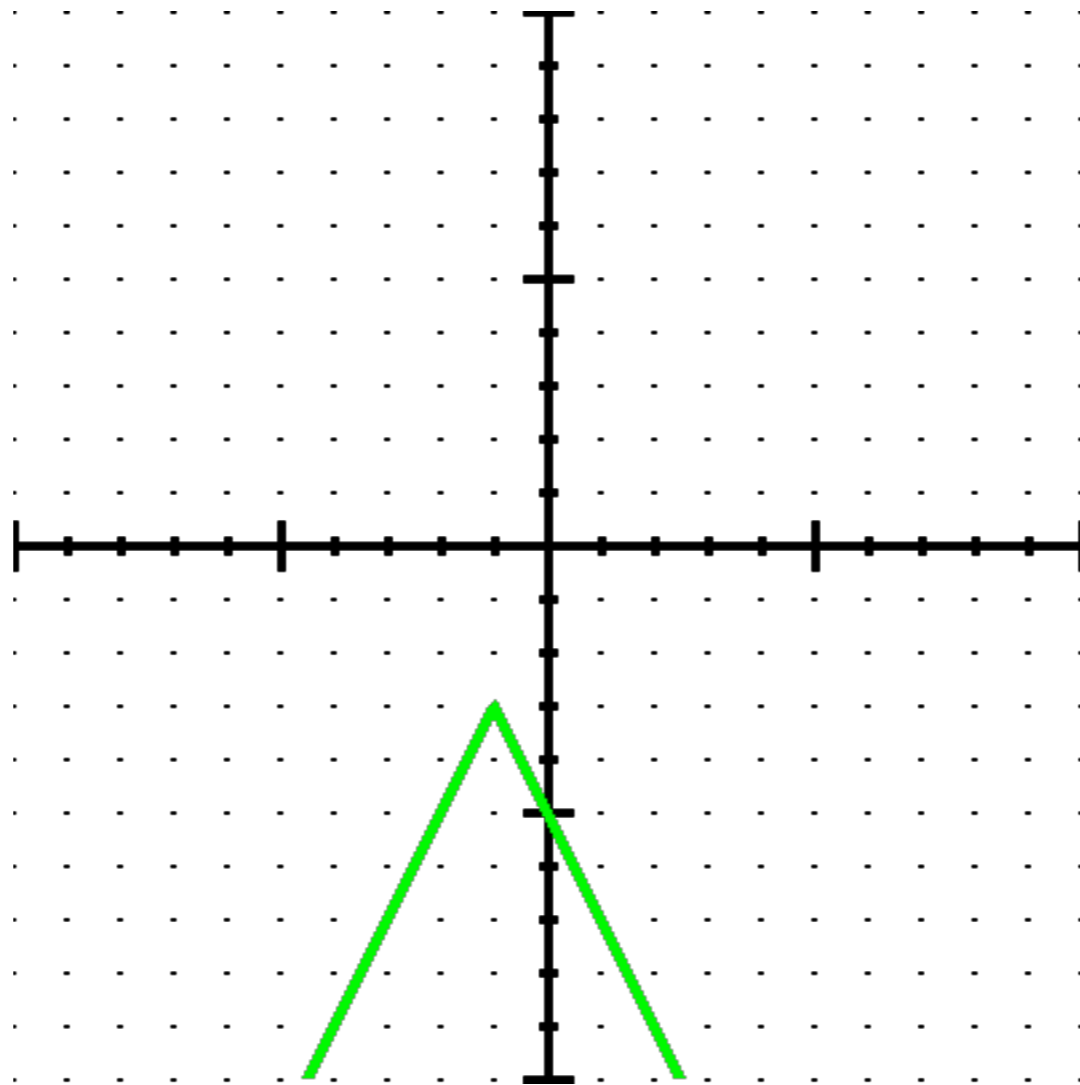


$$x = 0, 4$$

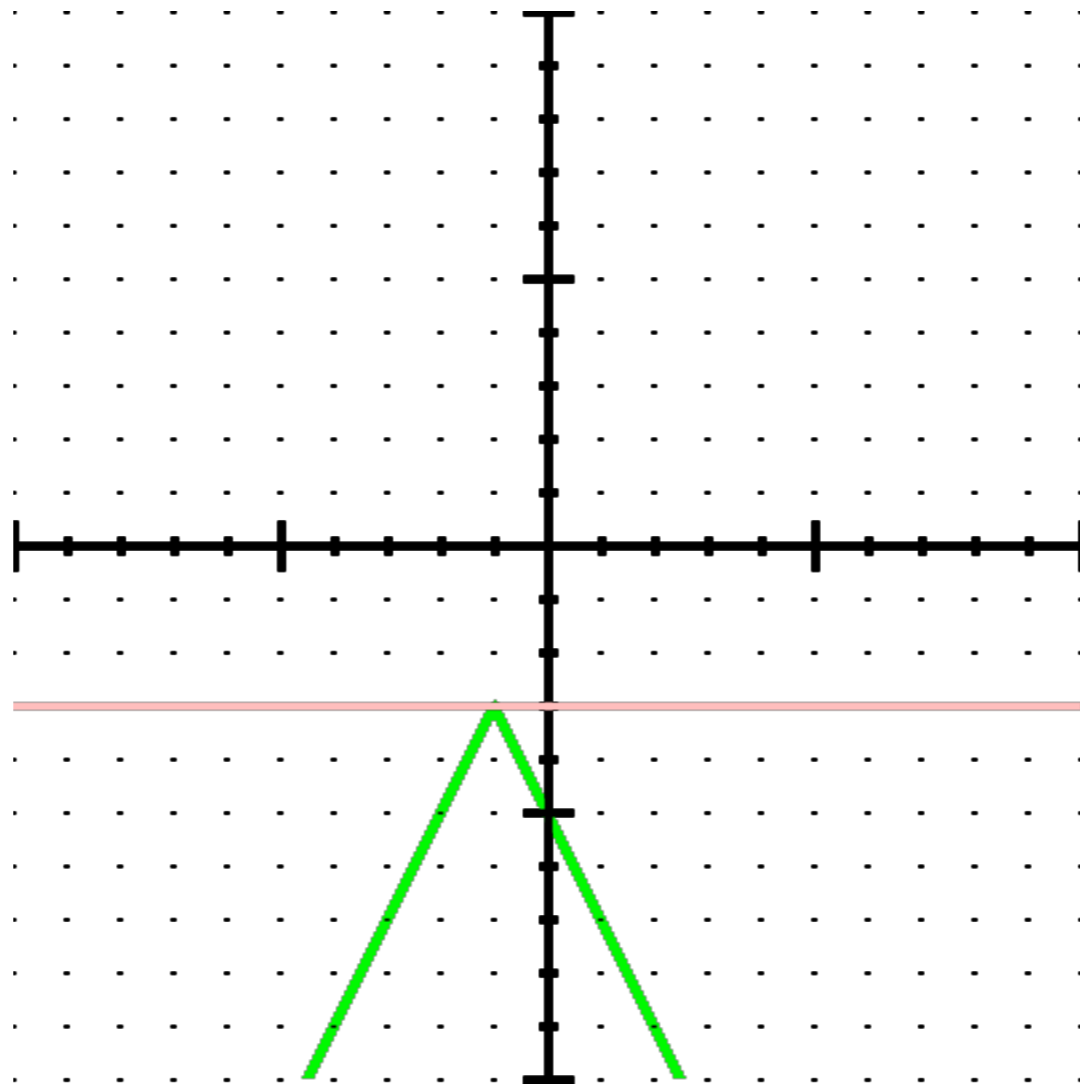
$$-3 = -2|x + 1| - 3$$



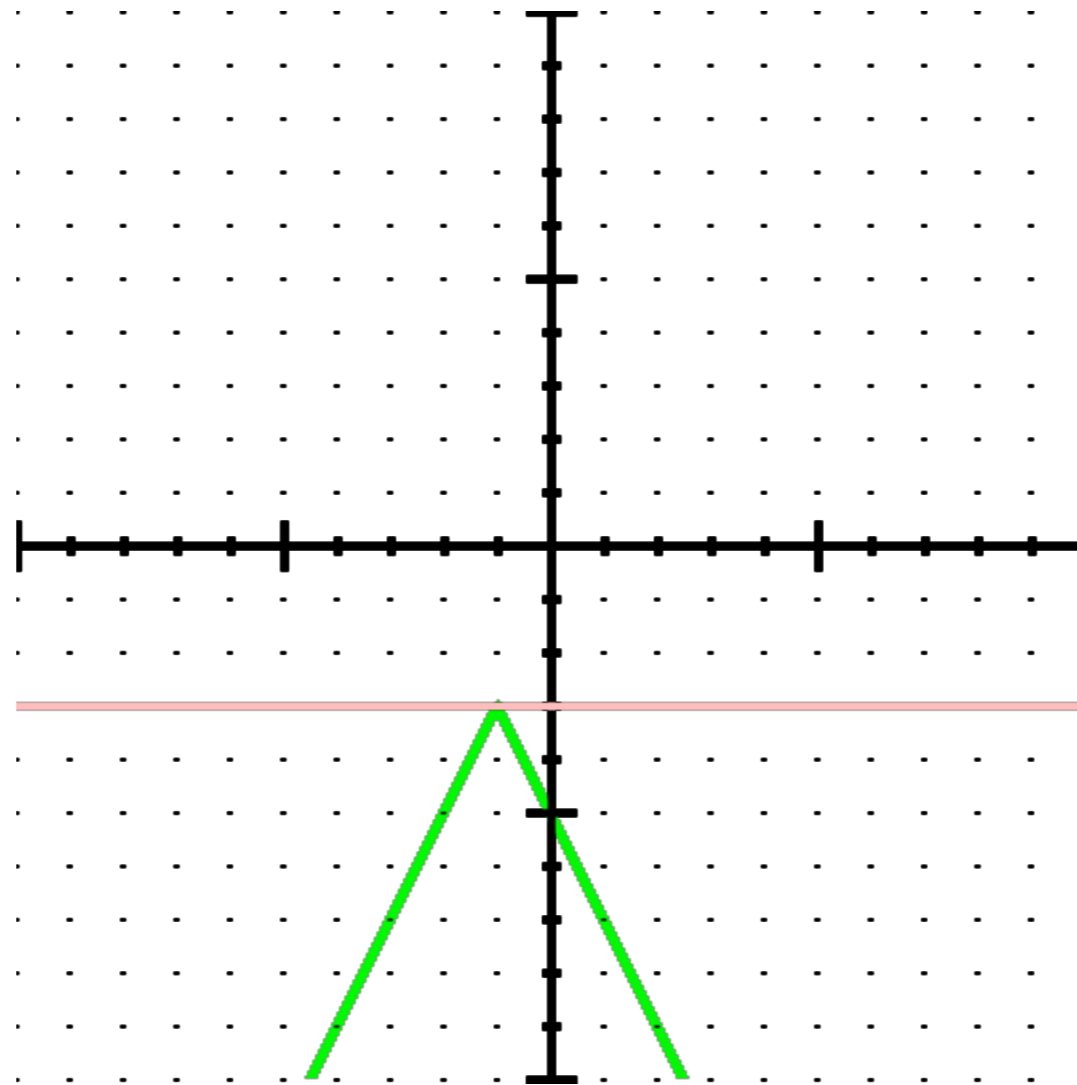
$$-3 = -2|x + 1| - 3$$



$$-3 = -2|x + 1| - 3$$

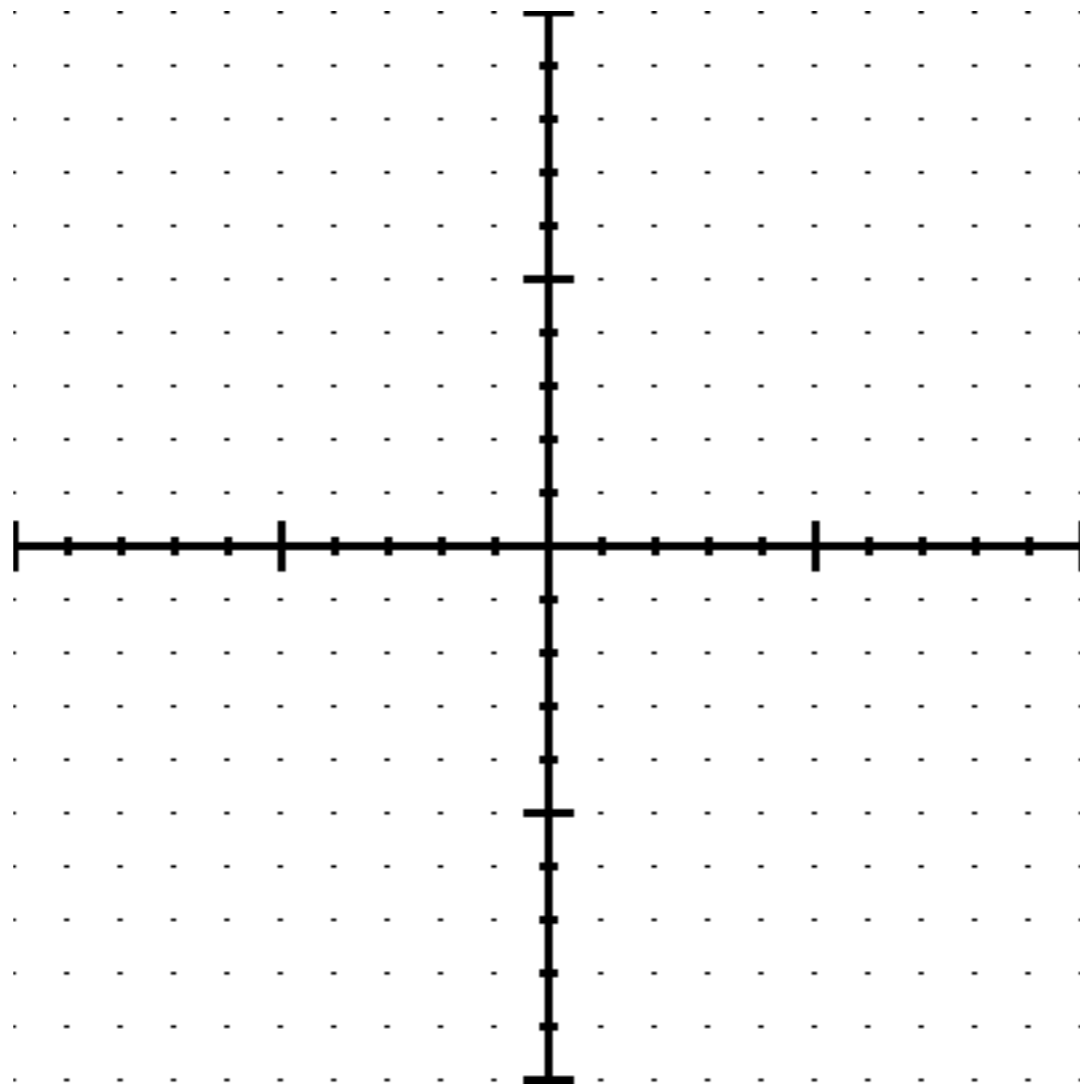


$$-3 = -2|x + 1| - 3$$

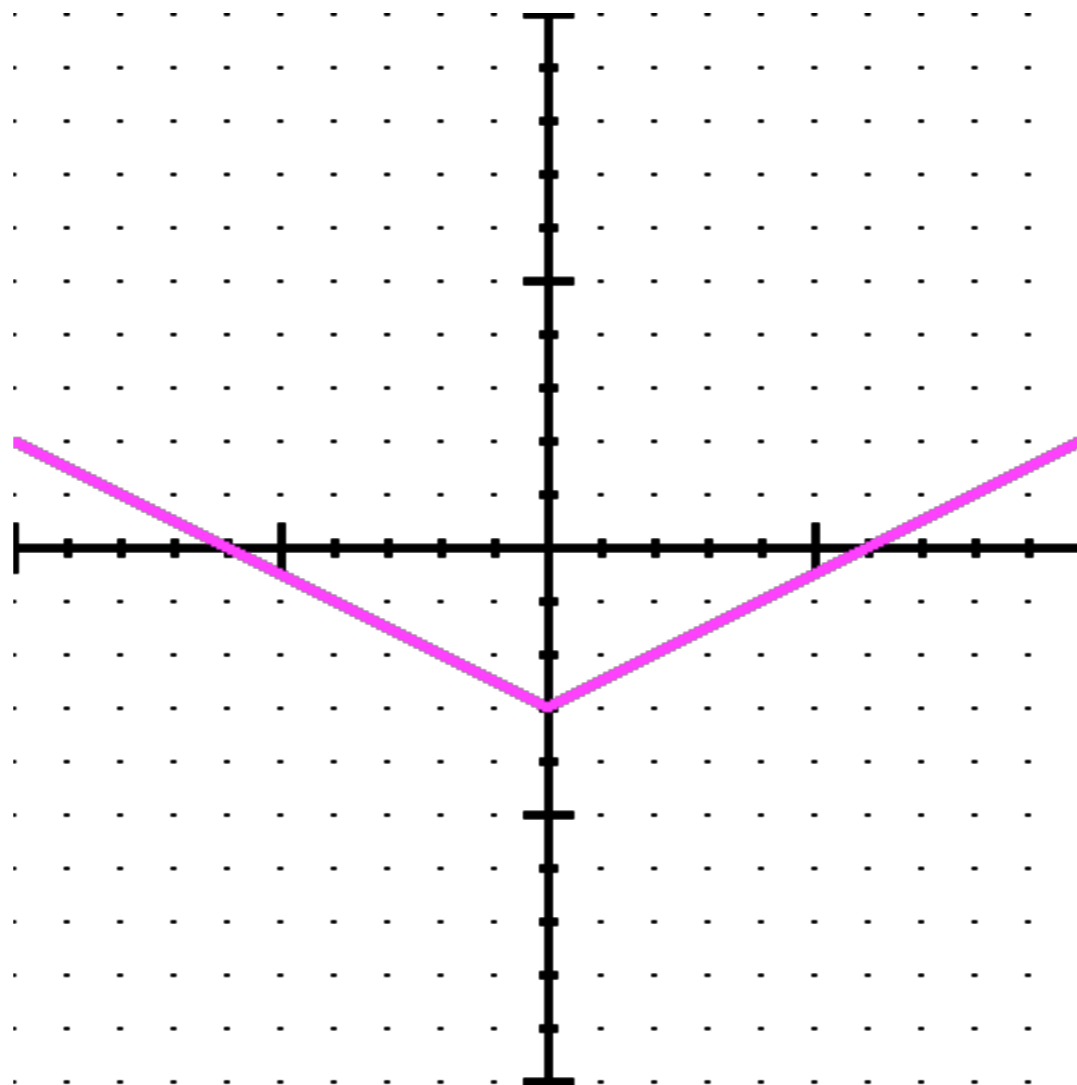


$$x = -1$$

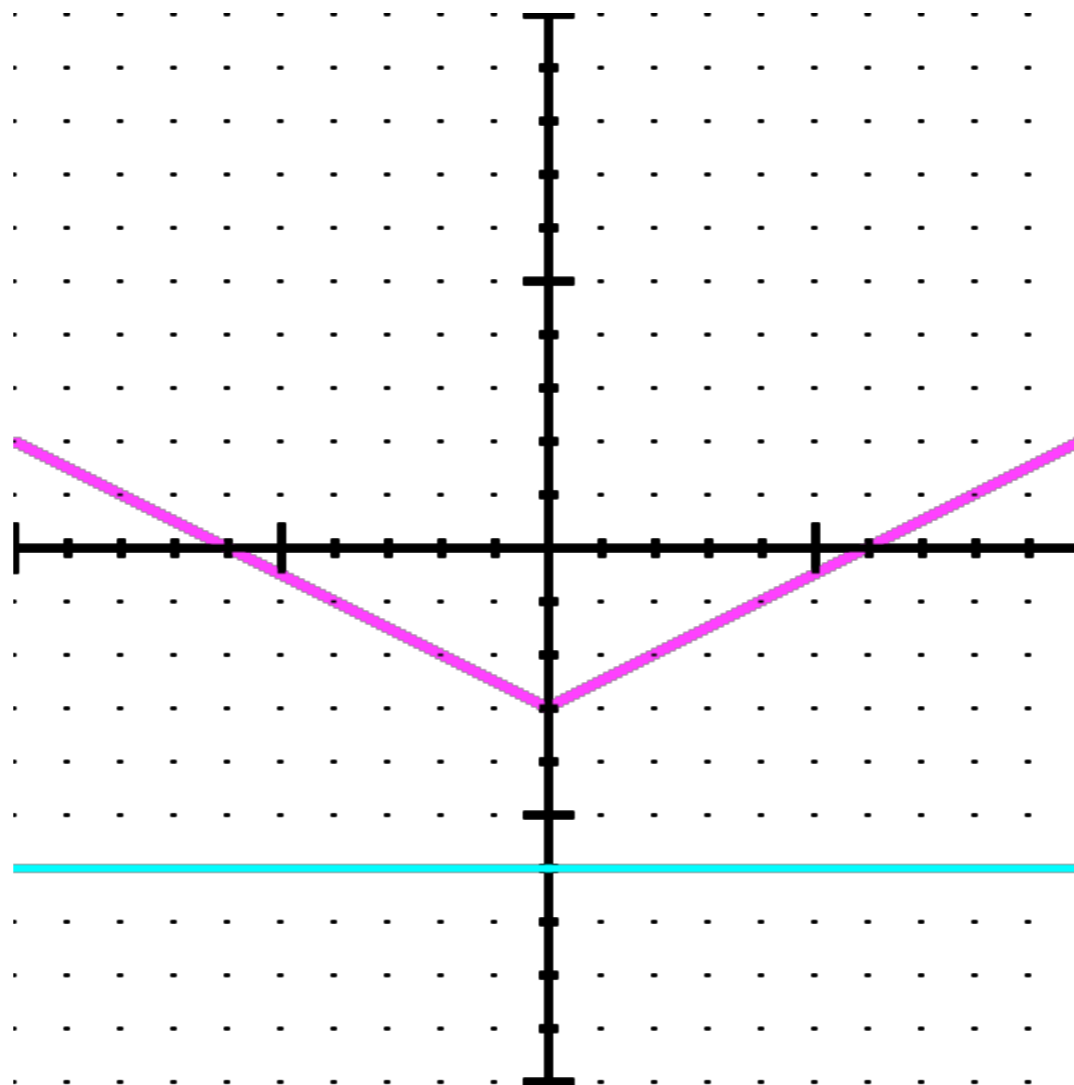
$$-6 = \frac{1}{2}|x| - 3$$



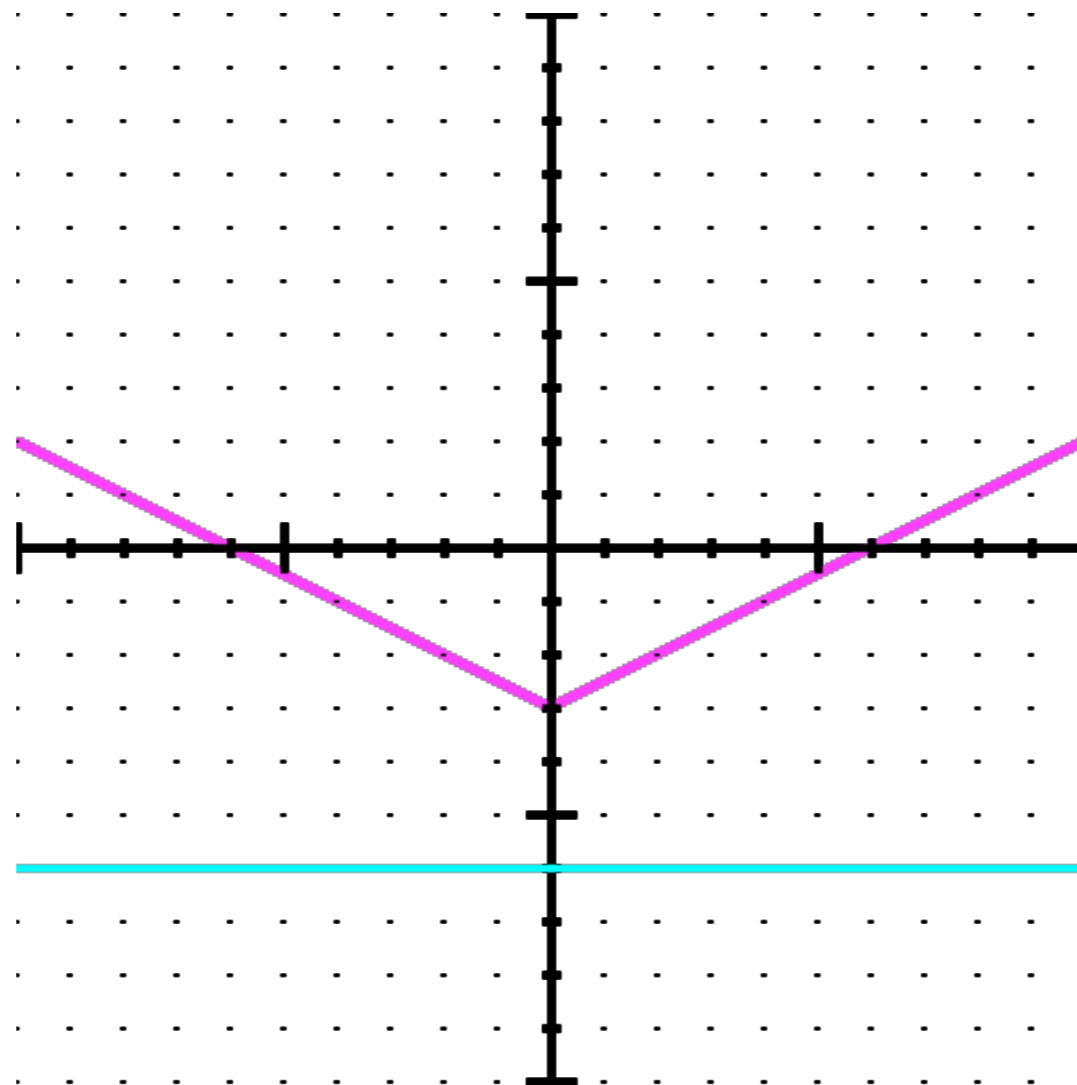
$$-6 = \frac{1}{2}|x| - 3$$



$$-6 = \frac{1}{2}|x| - 3$$



$$-6 = \frac{1}{2}|x| - 3$$



No Solutions

# You Try

$$3 = |x - 2| + 4$$

$$-2 = \frac{1}{2}|x + 1|$$

$$4 = -3|x - 1| + 10$$