

Inequalities

Solve Me!

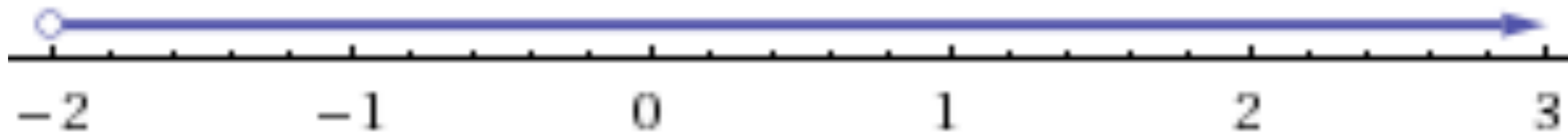
Solve and Graph

$$-4(2x - 3) < 28$$

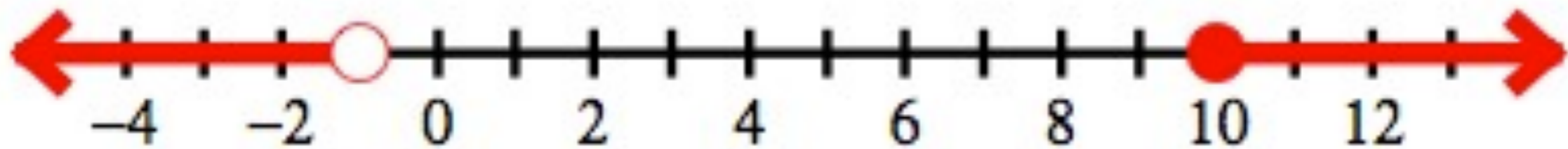
Solve and Graph

$$-4(2x - 3) < 28$$

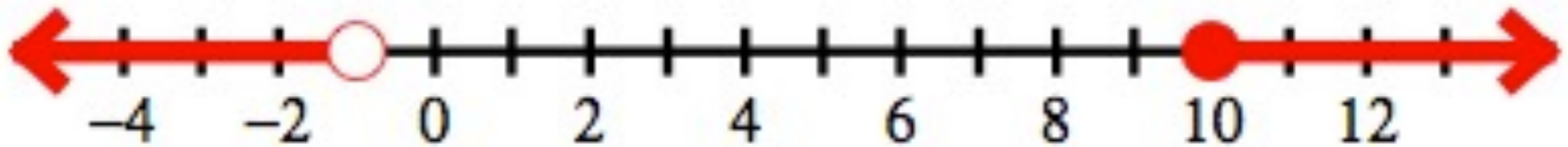
$$x > -2$$



Write the Inequality



Write the Inequality



$$x < -1 \text{ or } x \geq 10$$

Solve and Graph

$$-7 > y - 8 \geq -12$$

Solve and Graph

$$-7 > y - 8 \geq -12$$

$$-4 \leq y < 1$$



Write the Inequality

Three less than x is greater than -4 and less than -1 .

Write the Inequality

Three less than x is greater than -4 and less than -1 .

$$-4 < x - 3 < -1$$

Solve

$$7 > \frac{2}{3}(6q + 18) \geq -9$$

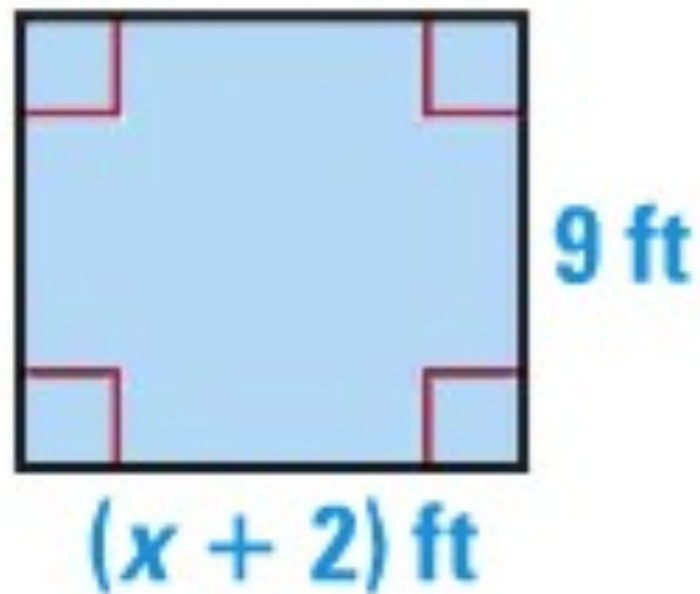
Solve

$$7 > \frac{2}{3}(6q + 18) \geq -9$$

$$-\frac{21}{4} \leq q < -\frac{5}{4}$$

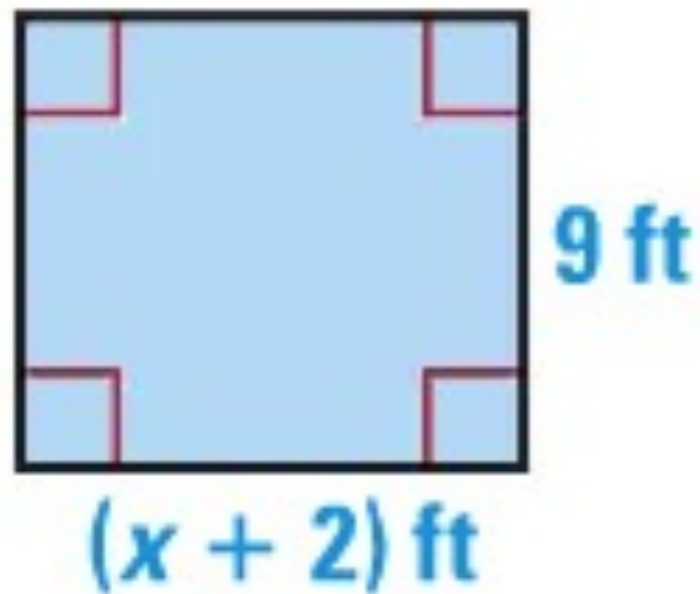
Write and Solve

Area $>$ 81 square feet



Write and Solve

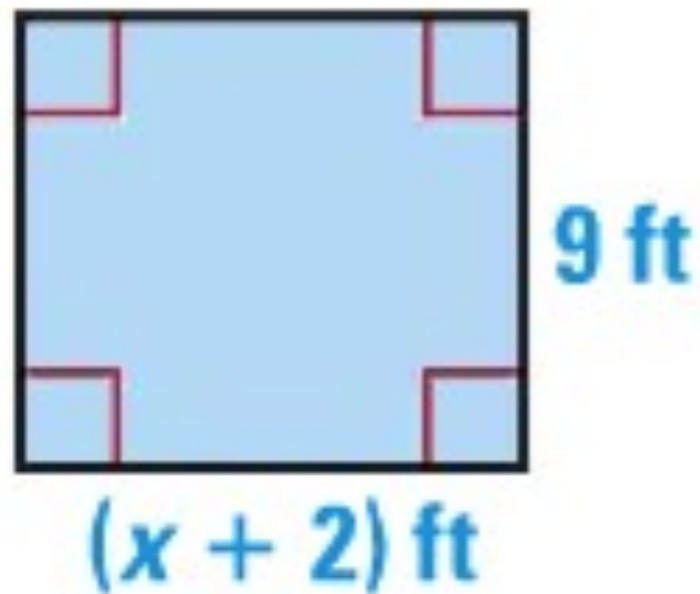
Area $>$ 81 square feet



$$9(x + 2) > 81$$

Write and Solve

Area $>$ 81 square feet



$$9(x + 2) > 81$$

$$x > 7$$

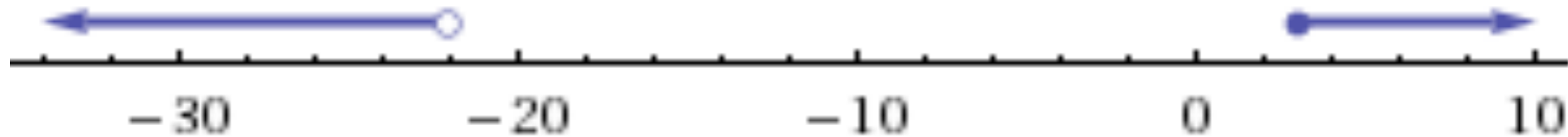
Solve and Graph

$$16 < -s - 6 \text{ or } 2s + 5 \geq 11$$

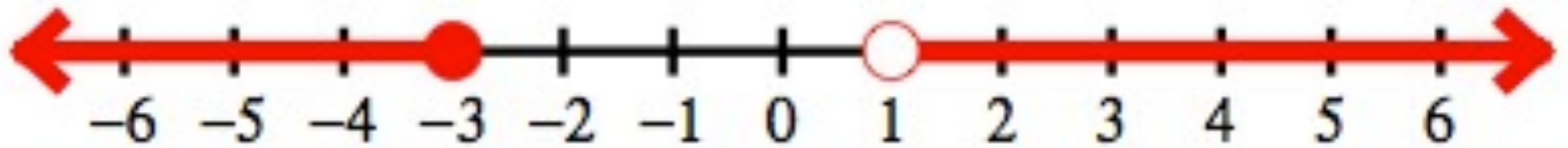
Solve and Graph

$$16 < -s - 6 \text{ or } 2s + 5 \geq 11$$

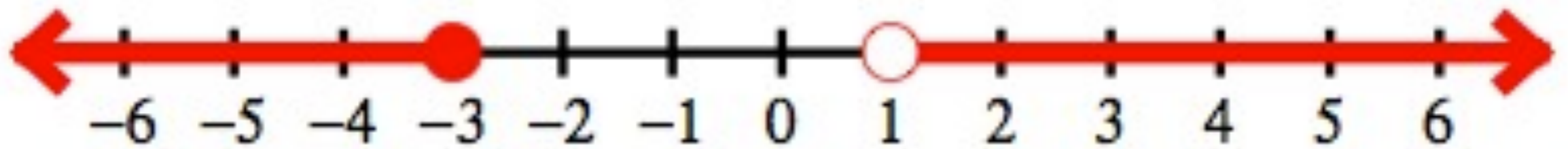
$$s < -22 \text{ or } s \geq 3$$



Write the Inequality



Write the Inequality



$$x \leq -3 \text{ or } x > 1$$

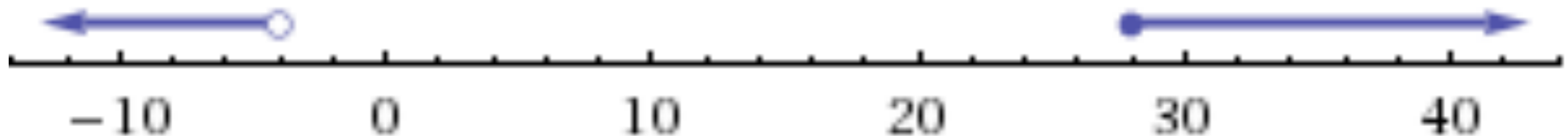
Solve and Graph

$$-2h - 7 > h + 5 \text{ or } \frac{1}{4}(h + 8) \geq 9$$

Solve and Graph

$$-2h - 7 > h + 5 \text{ or } \frac{1}{4}(h + 8) \geq 9$$

$$h < -4 \text{ or } h \geq 28$$



Write the Inequality

The sum of $-2x$ and 8 is less than or equal to -5 or 6 is no more than $-2x$.

Write the Inequality

The sum of $-2x$ and 8 is less than or equal to -5 or 6 is no more than $-2x$.

$$-2x + 8 \leq -5 \text{ or } 6 \leq -2x$$

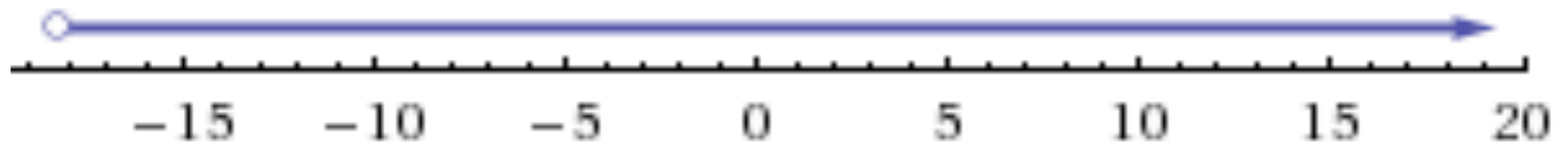
Solve and Graph

$$8 - \frac{4}{5}f > -14 - 2f$$

Solve and Graph

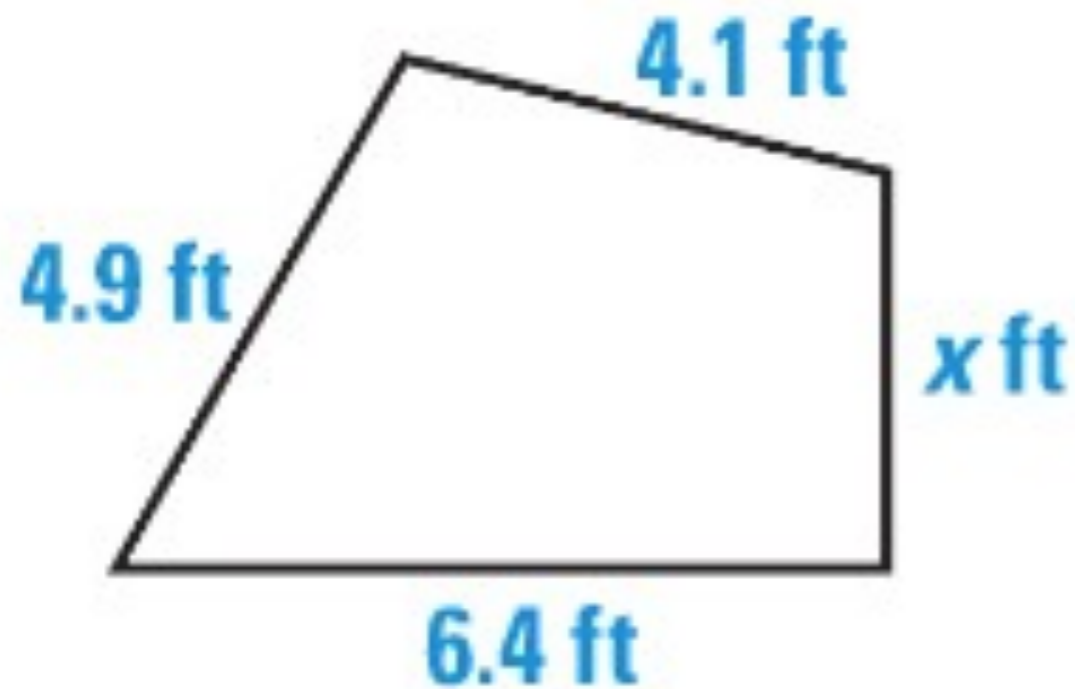
$$8 - \frac{4}{5}f > -14 - 2f$$

$$f > -\frac{55}{3}$$



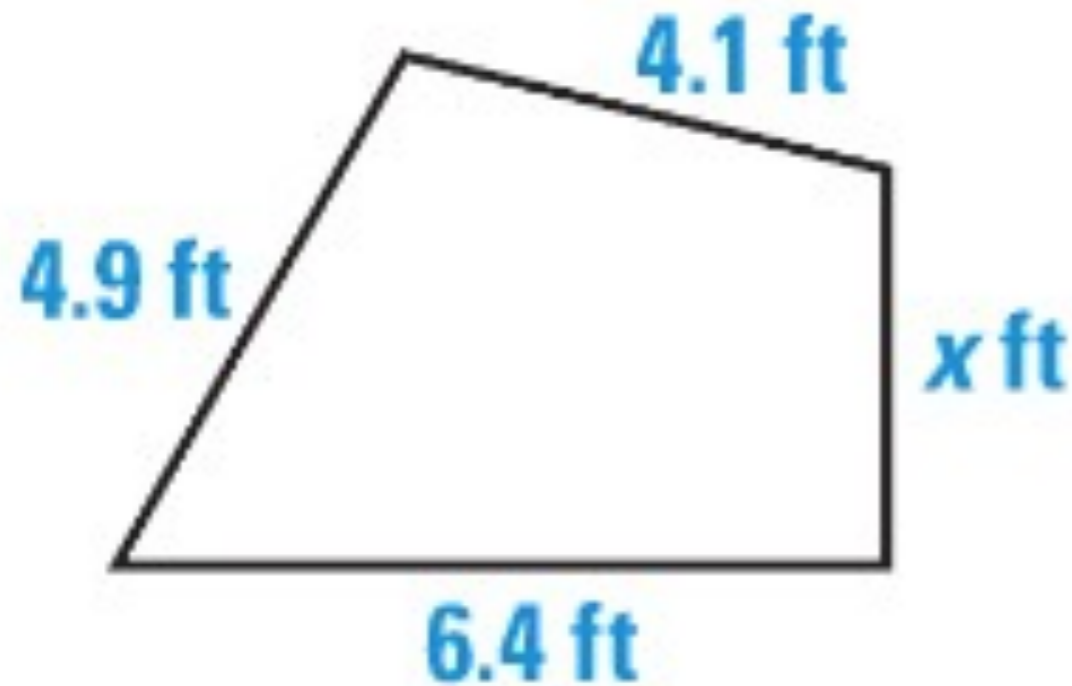
Write and Solve

Perimeter ≤ 18.7 feet



Write and Solve

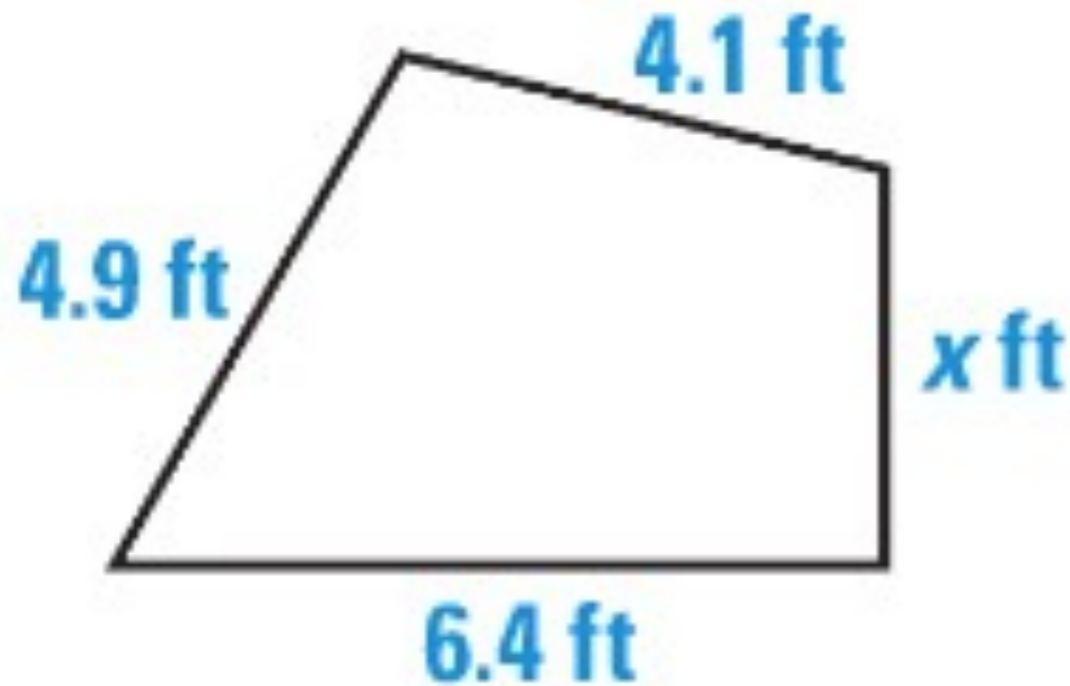
Perimeter ≤ 18.7 feet



$$15.4 + x \leq 18.7$$

Write and Solve

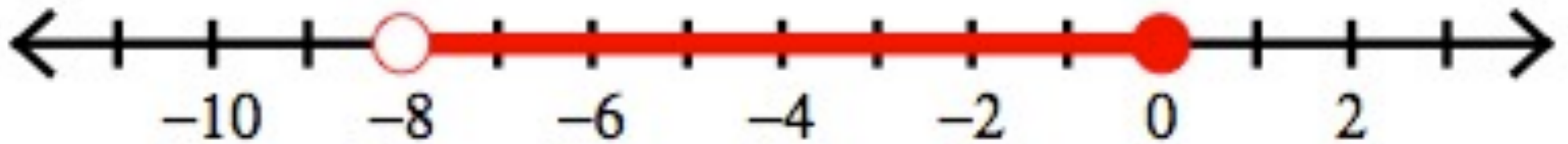
Perimeter ≤ 18.7 feet



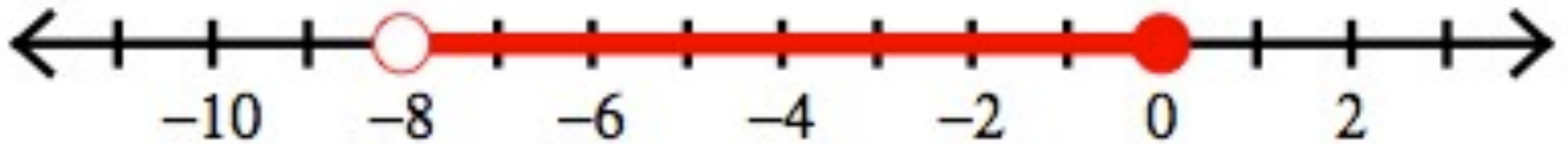
$$15.4 + x \leq 18.7$$

$$x \leq 3.3$$

Write the Inequality



Write the Inequality



$$-8 < x \leq 0$$